

Electrical Distribution Safety

GENERAL STATEMENT:

The following Bulletin is a copy of ESA Code Bulletin 07-02-FL. LDCs may find the information contained within of value and therefore it has been reissued.

FLASH 07-02-FL:

Concerns have arisen from Local Distribution Companies, in regards to the attachment of communication grounding hardware and conductors to meterbase enclosures. Utility workers regularly work on meterbases with the electrical power energized. Grounding devices attached to removable covers on meterbases could pose a hazard to these employees. The devices could dislodge the cover from its catch or the conductor in the device could interfere with the cover removal. There is also concern that the conductor could free itself from the grounding device and contact the exposed meter connections.

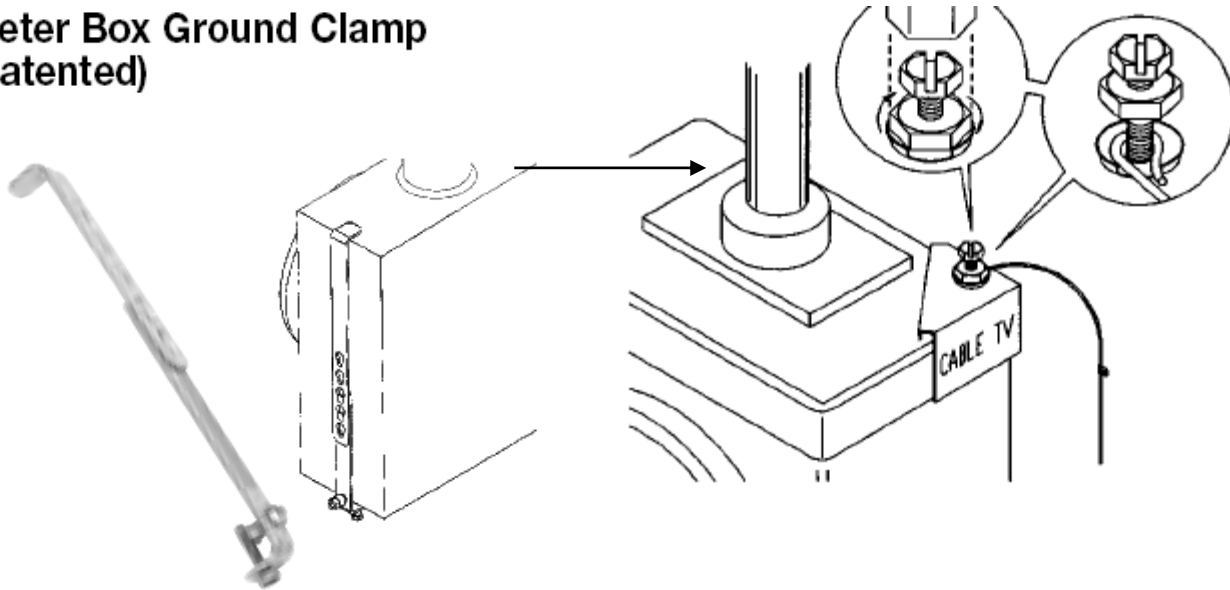
Bonding and Grounding hardware must be approved devices as per Rule 2-024 of the Ontario Electrical Safety Code and installed as per the manufacturer's instructions. As well, these devices must not be installed directly to removable covers on meterbases. These devices must not distort or damage the meterbase enclosure. Communication companies need to ensure their installation practices meet these requirements.

Note: Utility workers need to be aware of these devices when working on meterbase enclosures. Communication companies need to ensure their installation practices meet these requirements.

Electrical Distribution Safety

Examples of approved devices

Meter Box Ground Clamp (Patented)



ADDITIONAL INFORMATION:

If you can provide additional information on this Bulletin or any other Utility issue, please contact ESA to share your experiences. Additional information requests, and follow-up information, may be directed to ESA. Please be prepared to quote Bulletin “DSB-12/07”.